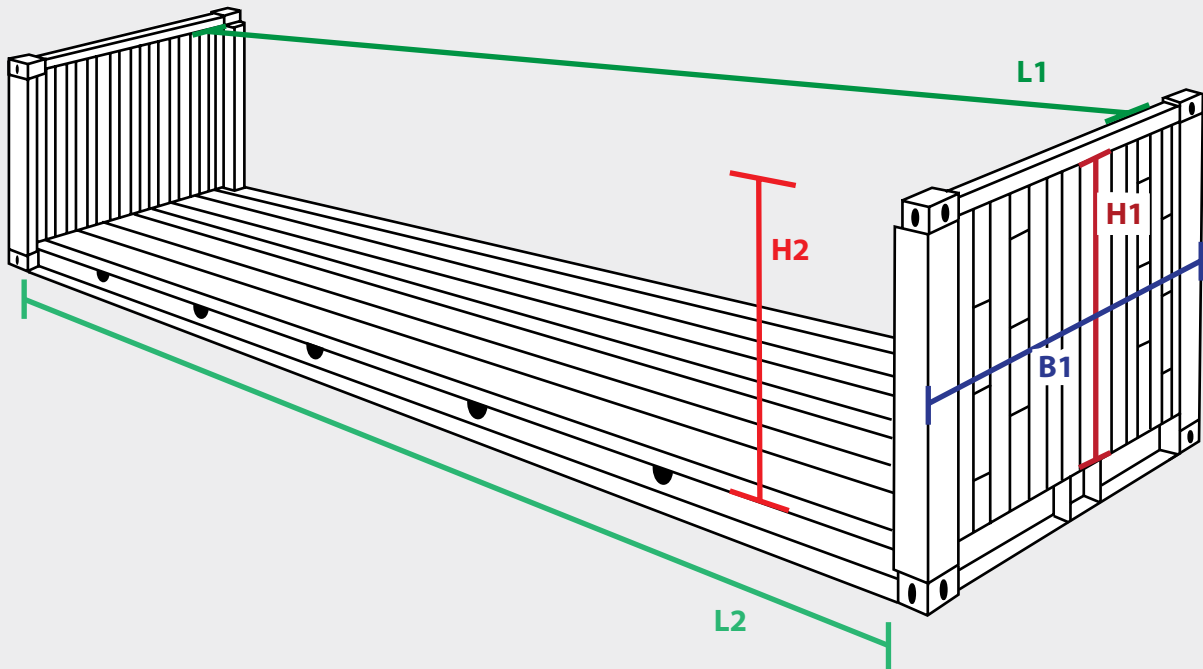


Flat rack specification:



	Interior dimensions			Door dimensions		Cubic capacity average
	L1	B1	H1	L2	H2	
20'FT	5940 mm	2400 mm	2310 mm	5575 mm	2310 mm	32 m ³
40'FT	12000 mm	2363 mm	2134 mm	11662 mm	2134 mm	58 m ³

The specifications above are based upon container industry standards and may vary slight from ocean carrier to ocean carrier. Please contact us for additional as desired. Payload details are subject to prevailing over-the-road weight limitations applicable in individual countries

Contact:

Tel: +48 609 717 004 | www.containerpacking.pl | E-mail: service@containerpacking.pl | Skype: containerpacking.pl