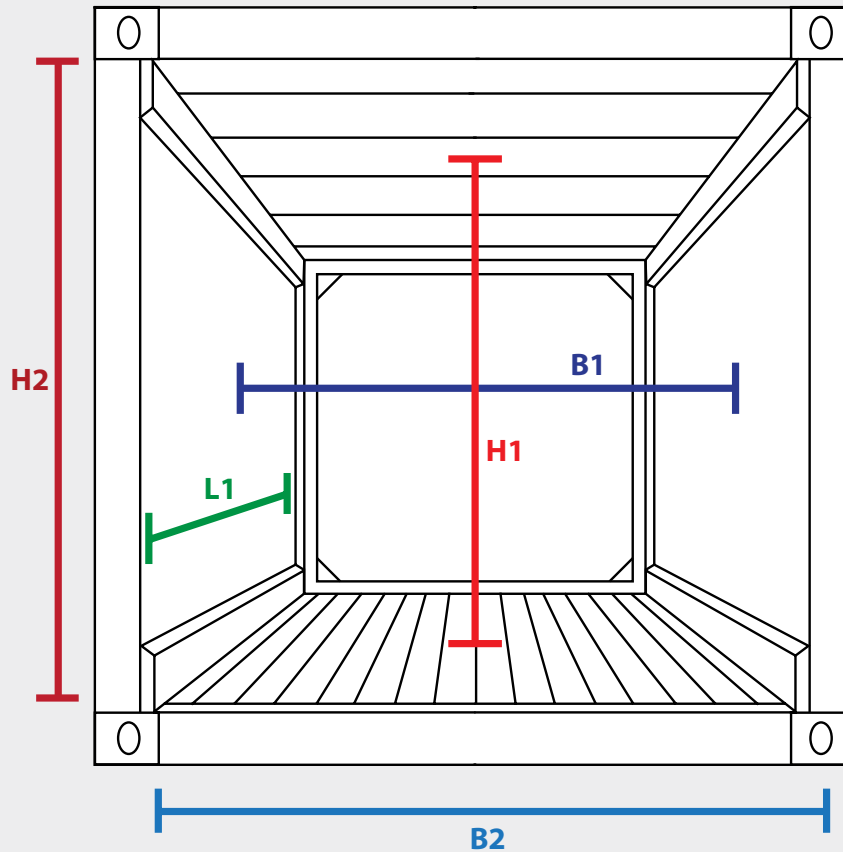


## Dry container specification:



	Interior dimensions			Door dimensions		Cubic capacity average
	L1	B1	H1	B2	H2	
20'DV (8'6" high)	5895 mm	2350 mm	2390 mm	2340 mm	2290 mm	33 m <sup>3</sup>
40'DV (8'6" high)	12000 mm	2350 mm	2390 mm	2340 mm	2290 mm	67 m <sup>3</sup>
40'HC (9'6" high)	12000 mm	2350 mm	2690 mm	2340 mm	2590 mm	76 m <sup>3</sup>

*The specifications above are based upon container industry standards and may vary slight from ocean carrier to ocean carrier. Please contact us for additional as desired. Payload details are subject to prevailing over-the-road weight limitations applicable in individual countries*

### Contact:

Tel: +48 609 717 004 | [www.containerpacking.pl](http://www.containerpacking.pl) | E-mail: [service@containerpacking.pl](mailto:service@containerpacking.pl) | Skype: containerpacking.pl